
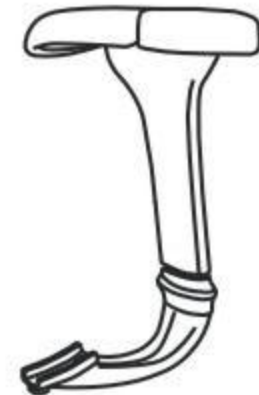
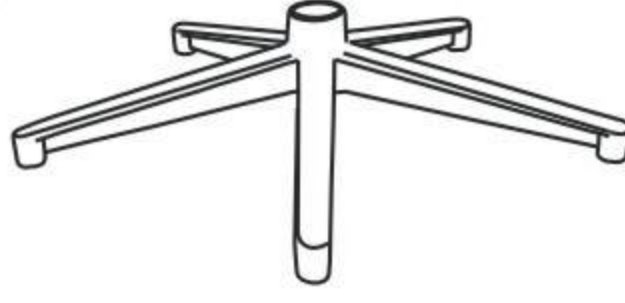
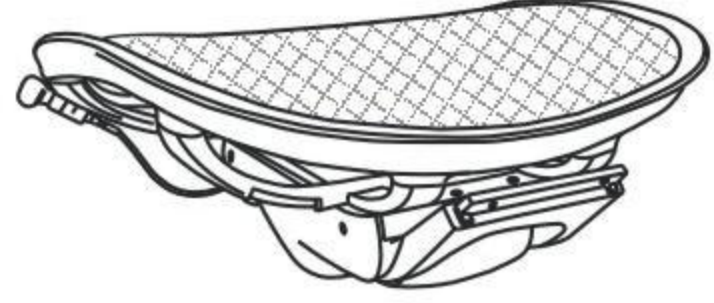




ERGOHUMAN ME7ERG/LE9ERG ASSEMBLY INSTRUCTION

PARTS LIST

①  CASTER x 5	④  RIGHT&LEFT ARM x 1EACH
②  BASE x 1	⑤  SEAT CUSHION x 1
③  GAS LIFT x 1	⑥  BACK CUSHION x 1

HARDWARE



TYPE A ARM SCREWS&WASHER (FOR FRONT SCREW OPENING)

	1 1/4" X 1"
	SPARE SCREW

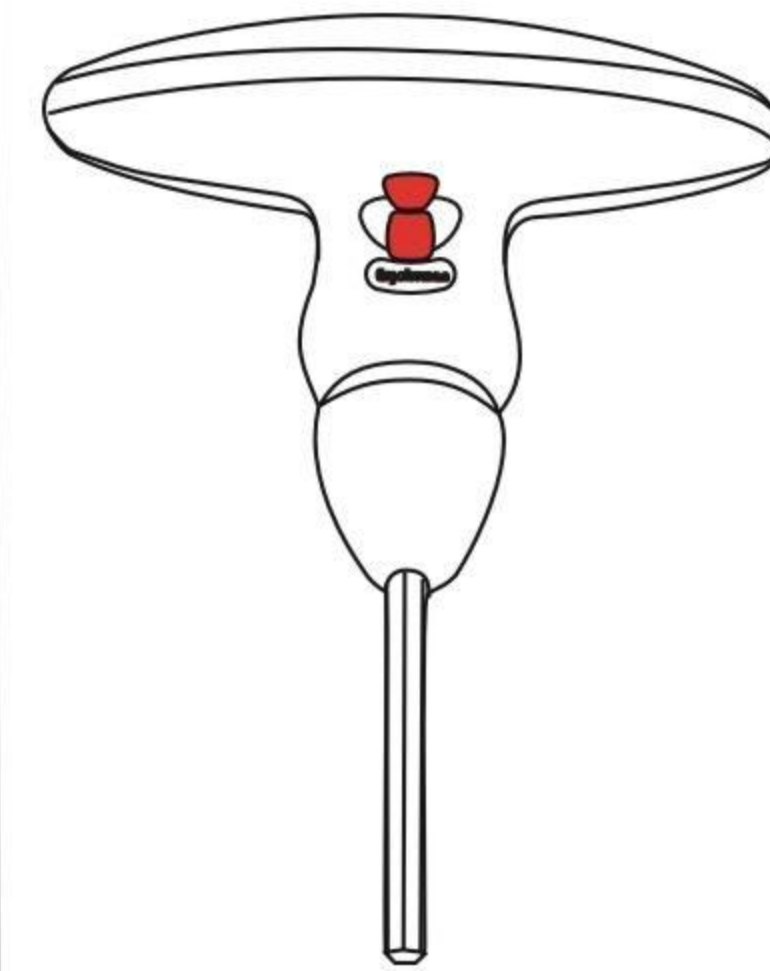
TYPE B ARM SCREWS&WASHER (FOR REAR SCREW OPENING)

	1/4" X 5/8"
	SPARE SCREW

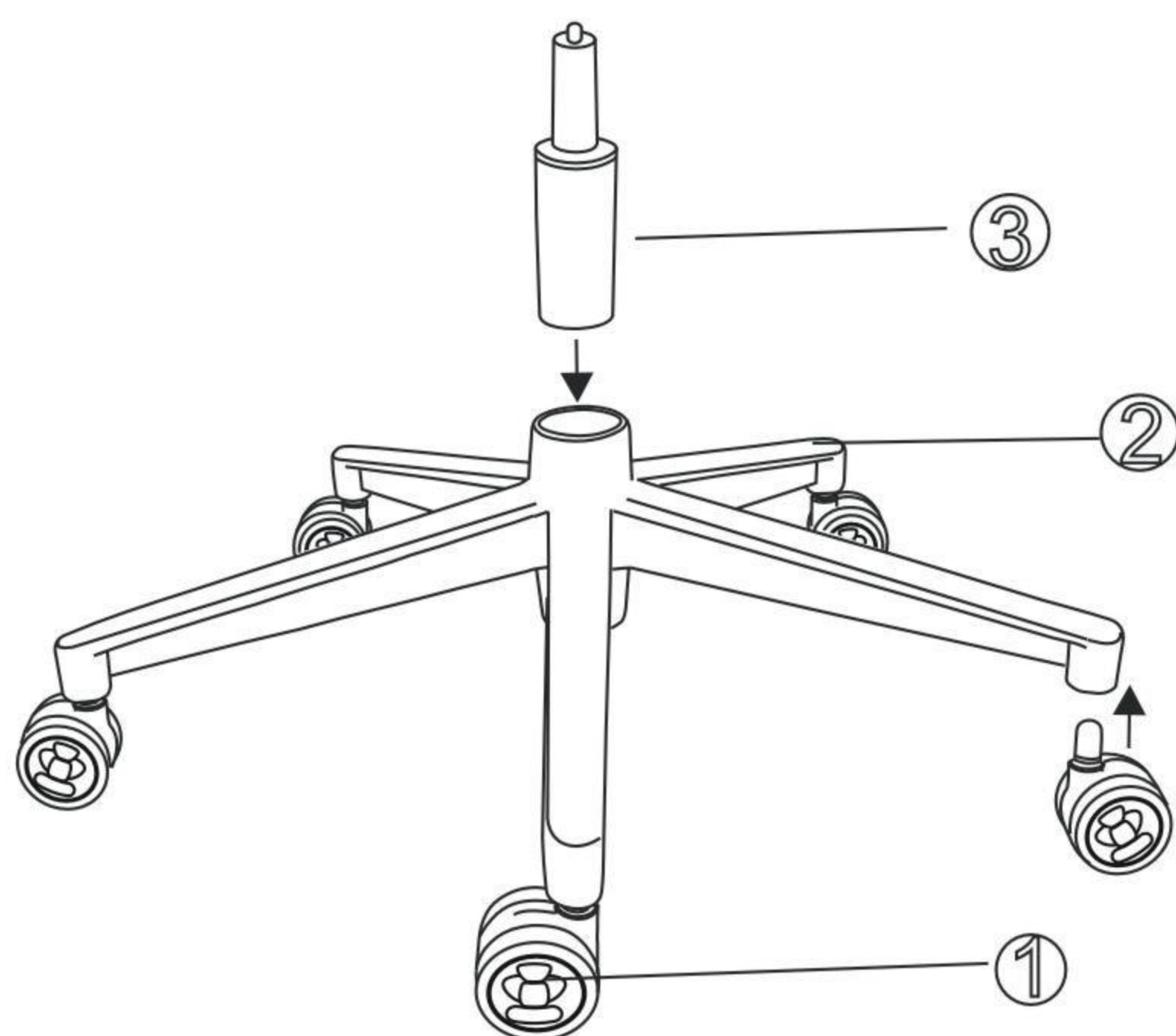
TYPE C BACK SCREWS

	M8X17MM
	SPARE SCREW

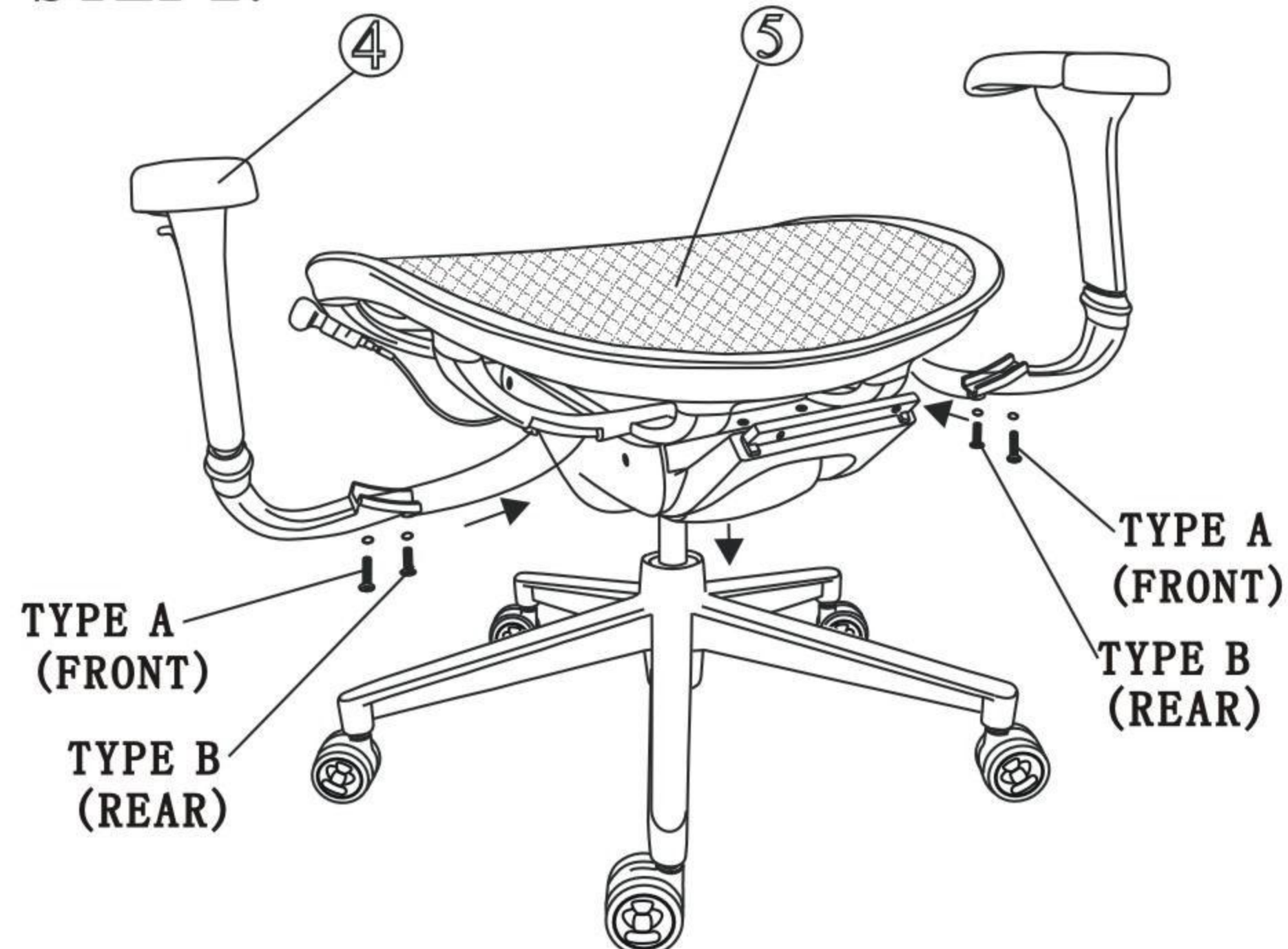
ALLEN WRENCH



STEP 1.



STEP 2.



STEP 3.



STEP 4.



PREVENTIVE MAINTENANCE AND WARNING

- USE THIS PRODUCT ONLY FOR SEATING ONE PERSON AT A TIME.
- DO NOT USE CHAIR AS STEP STOOL/LADDER.
DO NOT USE CHAIR UNLESS ALL BOLTS,SCREWS ARE TIGHT.AT LEAST EVERY SIX MONTHS CHECK ALL BOLTS,SCREWS TO BE SURE THEY ARE TIGHT.
- IF ANY PARTS ARE MISSING,BROKEN,DAMAGED OR WORN,STOP USE OF THE PRODUCT UNTIL REPAIRS ARE MADE USING FACTORY AUTHORIZED PARTS.
- FAILURE TO FOLLOW THESE WARNINGS CAN RESULT IN SERIOUS INJURY.

FOR ASSEMBLY ASSISTANCE CALL
CUSTOMER SERVICE: 1-800-637-0005
METRO NY: 1-516-481-9500
9:00AM TO 5:00PM (EASTERN)