

SIERRA HX ELECTRIC

adjustable height workcenters



RAISE THE BAR ON WORKCENTER COMFORT

The Sierra HX is the most innovative adjustable height workcenter for the professional workplace. The standard crossbar has been eliminated to allow maximum leg clearance. An innovative frame structure under the worksurface provides unmatched stability and room to attach a CPU holder, keyboard platform with lots of space to position your mobile pedestal.

Sierra HX features our beautiful Silhouette Collection of worksurfaces. These sleek tops are whisper thin at just ½", use GREENGUARD® certified material, and are available in a variety of edge treatments.

Sierra HX Electric workcenters will lift your spirits along with your essential worktools. Quiet motors provide over 175 pounds of lifting force per leg, so no matter how heavy your workload, the Sierra HX Electric is there to support you.

Let work
come to Life.™

Workrite
ergonomics®



SIERRA HX™ ELECTRIC

Products listed on this page are available through GSA Contract GSA-28F-0030S SIN #711-2 (Schedule 71)



adjustable height workcenters



- Workcenter features:**
- Hidden crossbar design provides optimum knee clearance and under worksurface access
 - Electric control with 3 memory pre-sets
 - Height range: 22"- 48" at 1.6" per second
 - Lifting capacity: 2-leg, 225 lbs.; 3-leg, 300 lbs.
 - Available in 24 worksurface styles in over 60 laminate and thermofoil trim options
 - Available in Sierra silver or charcoal finish
 - Base only or full workcenter
 - Compatible with full line of tool bar and rail system accessories

Environmental considerations:

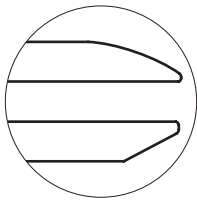
- LEED credit eligibility
 - Materials & Resources, MR Credit 4.2
 - Recycled content: 20% (post-consumer + 1/2 pre-consumer) (2 points)
 - Indoor Environmental Quality, EQ Credits 8.1-8.3
 - Day light & views 75-90% of spaces (1 point)
 - Use of Workrite tool bar and rail system in lieu of tall panel dividers
 - Innovation & Design, ID Credits 1.1-1.4
 - Implementation of comprehensive ergonomic program (1-4 points)
- Standby power is 0.1 W
- Values shown for LEED % range are for laminate versions; all base-only models contain at least 25% LEED recycled content
- Silhouette worksurface made from GREENGUARD® certified material



Hidden crossbar design for maximum clearance under worksurface.



Exclusive electric control system features customizable settings.



Slender 1/2" Silhouette worksurface collection with stylish edge profiles.

Statement of Line:

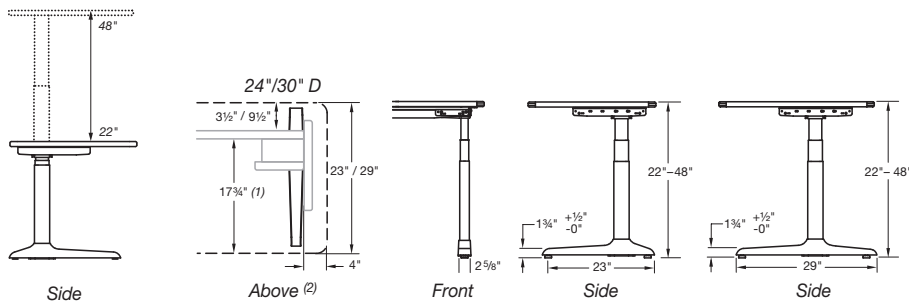
Number of SKUs in Model / Lifting Capacity / LEED % Range

	Rectangular	Rectangular Concave Front	Rectangular Curved Front	Small Equal Corner
# of SKUs	14	3	10	4
Lift	225 lbs.	225 lbs.	225 lbs.	225 lbs.
LEED %	29-34%	31-33%	28-32%	31-34%

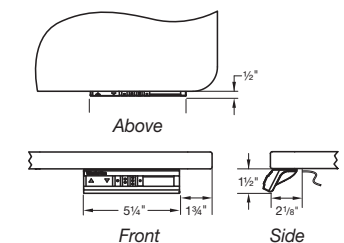
	Large Equal Corner	Cockpit Corner	2 Leg Offset Corner	3 Leg Offset Corner
# of SKUs	6	3	12	16
Lift	300 lbs.	300 lbs.	225 lbs.	300 lbs.
LEED %	33-35%	33-35%	34-35%	34-36%

	Peninsula	P Peninsula	Peninsula Workcenter	P Peninsula Workcenter	2 Leg 120°	3 Leg 120°
# of SKUs	6	6	12	12	2	8
Lift	225 lbs.	225 lbs.	300 lbs.	300 lbs.	225 lbs.	300 lbs.
LEED %	32-35%	34-36%	33-34%	34-35%	31%	32-34%

Specifications:
Height range, base and leg dimensions



Sierra HX Electric Switch Position



- 1) For added accessory installation depth, order HX Accessory Spacers, see Pricing & Specification Guide.
- 2) For 3 leg workcenter dimensions, see Pricing & Specification Guide.



Workrite Ergonomics, Inc. 1450 Technology Lane, Petaluma, CA 94954
www.workriteergo.com 800.959.9675

©2011 Workrite Ergonomics | All referenced company and product names are trademarks, registered trademarks or copyrights of their respective holders.
1400228-0711 Subject to change without notice.

Workrite
ergonomics®